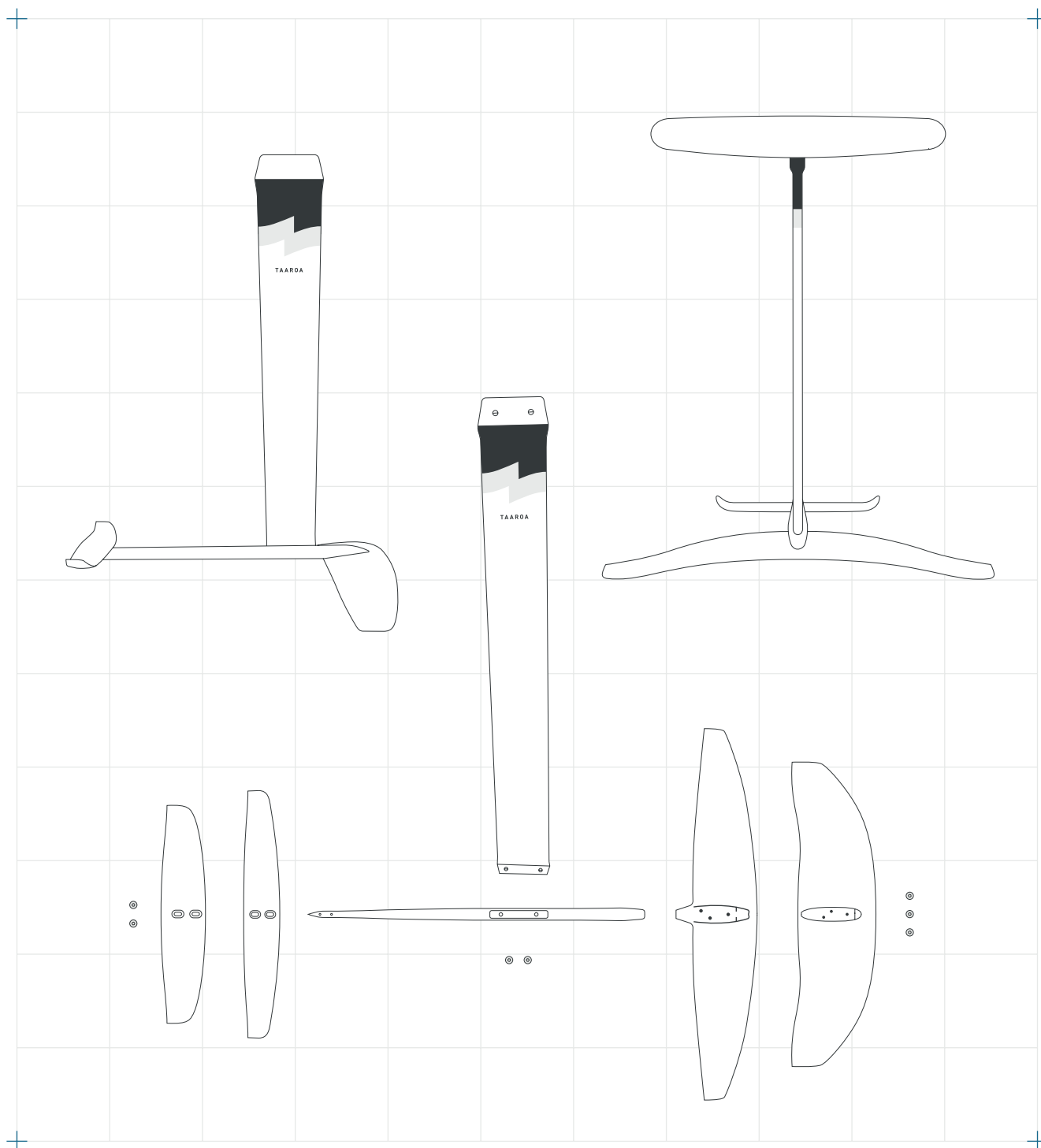


USER GUIDE



Applies to the hydrofoils in the windfoil (NOE) and kitefoil (JOY, SWORD) range.

— v1.0



— Table of content

User guide.

— 01	Safety.	p.03
	Warning	
	Insurance	
	Navigation location	
	Equipment	
	Physical condition	
— 02	Navigation conditions.	p.05
	Assistance	
	Weather	
	Navigation conditions	
	Be careful of others	
— 03	Components.	p.06
— 04	Assembly and disassembly of the foil.	p.07
	Mast mounting systems	
	By steps	
— 05	Assembly and disassembly on the board.	p.08
	Fixing systems	
	By steps	
— 06	Using the foil.	p.09
	Handling on land	
	Leaving & returning to shore	
	Position	
	Settings	
— 07	Foil maintenance.	p.12
— 08	List of products.	p.13
— 09	Limitation of liability.	p.14
	Agreement	
	Risk acceptance	
— 10	Technical support.	p.15

— 01

Safety.



— 01 Warning

There are certain risks involved in foiling that can cause serious or fatal accidents. For this reason, it is imperative to read this User Guide before using your hydrofoil and to comply with the instructions for use that it contains. Prior training is also advised.

— 02 Insurance

Before getting on your hydrofoil, check that you have insurance which covers civil liability while foiling. Additionally, make sure that your insurance sufficiently covers you in case of personal injury (without a third party being held responsible).

— 03 Navigation location

It is absolutely essential that you select the appropriate environment to foil based on your abilities. Always consider that foiling requires a greater water depth than wind or kitesurfing (see Section 6). If you are a beginner, the right spot may not be the most crowded spot in the water. Clear, open, reef-free zones are best. Where possible, avoid populated breaks as foiling can be dangerous to other people in the water.

— 04 Equipment

It is highly recommended that you wear a suitable life jacket and a helmet while foiling, among other safety measures. This equipment is vital to your safety, though it does not exempt you from also being careful and cautious while foiling.

- **The helmet**

This will protect you during falls on the water's surface or in case of a bump with the board or the foil.

- **The life jacket**

A suitable life jacket increases floatability and as such can facilitate water starts and relaunching of the kite board. It can also facilitate your ascent while windsurfing or wakefoiling. It may further help cushion falls. Finally, a life jacket can be very useful when swimming back to shore after a technical issue, or in adopting a safety position while waiting for help. **Warning: A life jacket may be mandatory in certain locations; you must always respect the applicable navigation rules.**

- **The wetsuit**

Adapt your clothing to the weather conditions to avoid hypothermia. Depending on the water temperature, choose either a full suit (water <19 °C) or a short suit (water > 19 °C). Please also be aware that when you are cold you use more energy. Fatigue can also impact your reactivity and cause accidents.

- **The boots**

The use of boots is recommended, since a foil has sharp surfaces which can potentially cause foot injuries in the event of a fall.

— 01

Safety.



— 05 Physical condition

Foiling on water requires a good physical condition. We recommend to be at least 16 years old to practice foiling. If you have any medical issues or poor physical condition, please consult with your doctor before practicing. Weight limits associated to each product are available in the product section of our website (www.taaroa-hydrofoil.com).

TO REMEMBER

1. Foiling is risky and can only be undertaken after reading and understanding all the instructions included in this User Guide.
2. Foils are composed of extremely sharp pieces, which can cause injury to yourself and to others.
3. Wearing a suitable helmet, a life jacket and boots is highly recommended.
4. Be aware of the impact risks. Because of its reduced drag, the foil and board combination can reach higher speeds than a single board; the foil can maintain its speed for a while before stopping.
5. The practice of foiling is prohibited in swimming areas and, more generally, in any area reserved for other activities. Make sure you know the local rules that apply to water sports and foiling.
6. Do not leave the foil in the water without supervision; currents can cause the foil to drift quickly.
7. Handling the foil in the water should be done in a gentle and controlled manner to avoid injury to yourself, others, or damage to the foil.



Navigation conditions.

— 01 Assistance

Do not go foiling alone. It is advisable to practice foiling in the presence of a third party who is either foiling with you or who remains on the beach, but who will be in a position to notify emergency services in the event of an accident. If you do foil alone, remember to notify an emergency contact about where you plan to foil and for how long.

— 02 Weather

Check the weather before going foiling (via the telephone, web, or harbor master's office). Consider the following: What wind strength is forecasted and in which direction? You also need to know how the wind strength and direction will change during the day. The foil allows you to navigate in marginal conditions. In particular, be careful of the risk that the wind will switch completely. You should also not sail in stormy weather, the wing or sail attracting lightning. Also find out about tide times and areas of strong currents.

— 03 Navigation conditions

Never sail in offshore winds if you do not have a service boat. There is always a risk of switching winds or damaged equipment. Further, when the wind is offshore, it is more difficult to return to shore by swimming because the wind and the current push you toward the open sea.

It is also not recommended to sail when the wind is onshore if you are a beginner because the wind then pushes you directly to the beach. This will make learning more difficult (you will not be able to navigate along the shore without pulling and you will arrive very quickly in low water areas). It is also more risky to practice when the wind is onshore because the slightest gust or error will lead you to the sand. It is therefore advisable to foil when the wind is side-on. You will be able to go down wind with leisure and you will also be sure that you can get back to shore easily at the slightest problem.

Beyond the 300-meter boundary and up to a mile from an accessible shoreline, foiling can be practiced without speed limit. Inside the 300-meter zone, you must foil with caution and at a speed of less than 5 knots, unless an exemption has been granted by the Maritime Authority.

The practice of foiling is prohibited in swimming areas and, more generally, in any area reserved for other activities. In addition, foiling requires a particular environment, which includes sufficient depth (see Section 6), all of which can be impacted by weather conditions. It is also important to avoid places with natural or artificial obstacles (rocks, shoals, etc.). Before foiling, survey the area and check with the site manager or ask local practitioners about specific rules that may apply.

— 04 Be careful of others

Do not practice in a swimming area or an area reserved for other activities. Even in an authorized area, always pay attention to other individuals in or out of the water.

Help other practitioners. Always pay attention to other practitioners. Do not hesitate to offer assistance to a practitioner who is having difficulty or needs help.

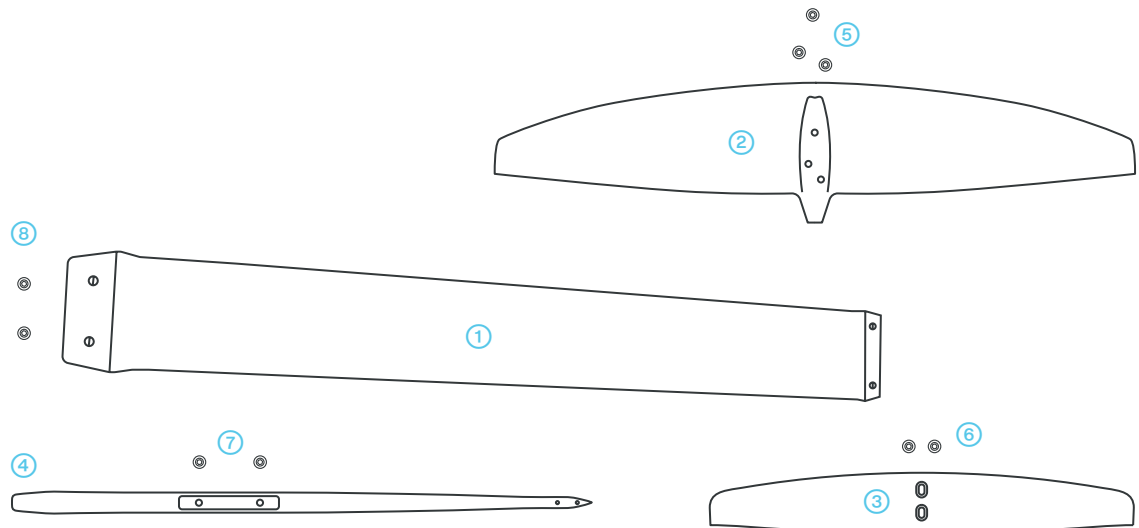
Respect the audience. Warn spectators about the potential danger of staying downwind while you foil. Do not entrust your equipment to a person who has never foiled.

— 03



Components.

— 01 Description



- ① Mast with board mounting box and a fuselage fixing mount (either a Standard Kite Mount or a Standard Windfoil Mount)
- ② Front wing with three fixing points (V-Fix system)
- ③ Stabilizer with two attachments allowing the precise and fast adjustment of the angle of the stabilizer thanks to two screws and a half-moon geometry directly shaped in the fuselage (Quick N Precise)
- ④ Fuselage with anchor point for the mast
- ⑤ Set of screws for fixing the front wing (3 screws)
- ⑥ Set of screws for fixing the stabilizer (2 screws)
- ⑦ Set of screws for fixing the mast to the fuselage (2 screws)
- ⑧ Set of screws for attaching your board (2 screws or 4 screws for a plate mount)
- ⑨ A transport cover to avoid damage (not shown in the diagram above)

WARNING

The shape of the wing profile and the wing's surface must not be modified, altered, coated or sanded. Otherwise, there is a risk that the balance and functioning of the foil may be impacted. The rear edge of the wings (the trailing edge) must remain very thin in order to guarantee the foil's performance. Because of this thinness, the rear wing is more fragile upon impact. As mentioned, it is important to pay very close attention to these sharp edges when handling and using the foil so that you don't injure yourself or others.

— 04



Assembly and Disassembly of the foil.

— 01 Mast mounting systems

All TAAROA foils have a specific mast mounting system on the foil's fuselage. This system is called the Standard Kitefoil Mount (SKM) for the Kitefoil range and the Standard Windfoil Mount (SWM) for the Windfoil range. This allows the components of TAAROA foils to be easily interchanged for more modularity.

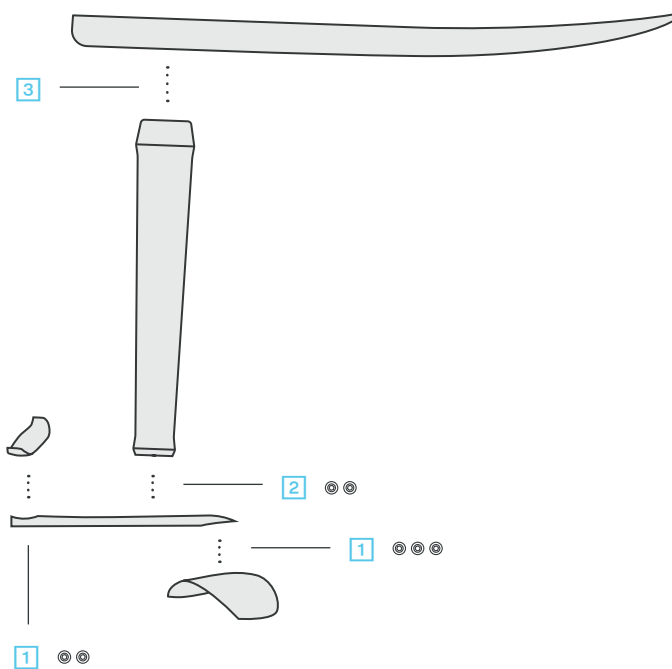


Standard Kitefoil Mount



Standard Windfoil Mount

— 02 By steps :



Assembly

1 Mount the wings on the fuselage: front wing with 3 M6x16mm Torx screws for the Kitefoil range and 3 M8x16mm Torx screws for the Windfoil range; rear stabilizer with 2 M6x12mm Torx screws for all stabilizers but the FREERIDE 42 WF with 2 M6x16mm Torx screws.

2 Mount the fuselage to the mast with 2 M8x30mm Torx screws for the Windfoil range and 2 M6x20mm Torx screws for the Kitefoil range. Make sure that the mast is perfectly moored at the fuselage.

3 Mount the mast on the board using the mast box by following the instructions on the next section (see Section 5).

Disassembly

1 First remove the rear stabilizer and then the front wing.

2 Remove the fuselage from the mast.

3 Remove the mast from the board.

WARNING

Be sure to tighten all the components until you obtain an optimal, one-piece assembly without forcing or damaging the foil. It is recommended to apply a torque of 10 N.m.

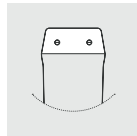
— 05



Assembly & disassembly on the board.

- 01 TAAROA masts are mounted on the board by a mounting box system. Different types of mounting boxes are available to adapt to the board mounting systems :

KITEFOIL — RANGE



Mini Pro Box

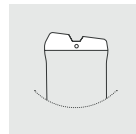


Plate Mount

WINDFOIL — RANGE



Deep Tuttle



Power Box

- 02 By steps :

— Assemble the foil on the board

- 1 For the Plate Mount only: mount the mast to the Plate Mount by using the 3 M6x30mm Torx screws. The Tuttle, Power Box and Mini Pro Box mounts are already affixed to the mast. Lay the board upside down (hull up).
- 2 Insert the heel of the foil, already mounted onto the mast box provided, in the hull or align the rails of the board in the case of a Plate Mount.
- 3 In the case of a Tuttle, Power Box or mini Pro Box, tilt the board on the edge and carefully drive it inside the board mounting box.
- 4 Tighten the M6x55mm screws for the Windfoil range and M8x40mm screws for the Kitefoil range with a TORX key, remembering to place the 18mm rubber washers. Lay the board upside down (hull up).

— To Disassemble the foil

- 1 Place the board + foil upside down (hull up).
- 2 Disassemble the wings and fuselage.
- 3 Tilt the board on its edge to unscrew the screws attaching the board to the mast box (Power Box, Tuttle Box, mini Pro Box); or unscrew with the board upside down in the case of a plate mount.

— 06

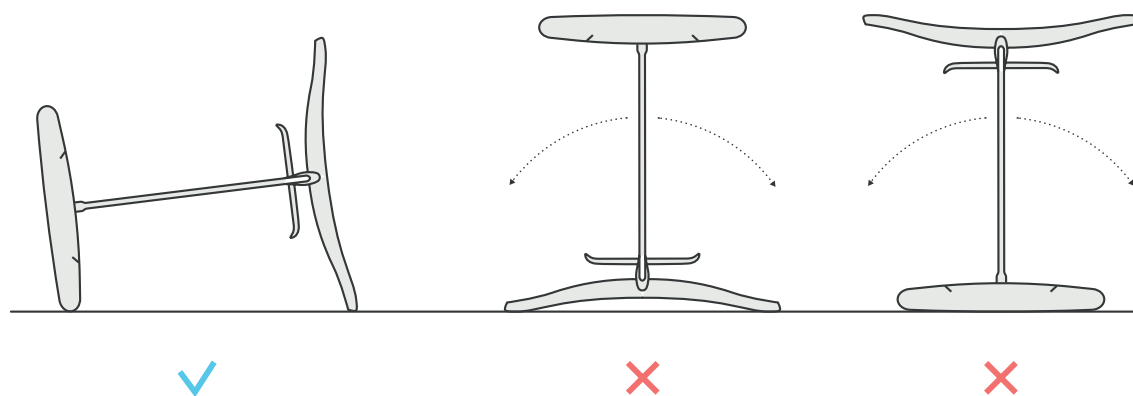


Using the foil.

Because of its geometry and weight, the foil's behavior drastically differs on land and on the sea.

— 01 Handling on land :

Don't leave the foil assembled with the board placed upside down or right side up. It might tip over or get damaged. Always lay the assembled foil on its edge as follows :



— 02 Leaving & returning to shore :

- a Walk into the water with your board under your arm (on its side).
- b Advance until you reach a depth greater than the height of the foil in order to eliminate any risk of impact. Because the board and the foil sink when you, the rider, climb on the board, it is important to maintain a margin of safety. In shallow waters, we recommend that you move away by swimming, keeping the board and the foil on the edge until reaching an area where the water depth is sufficient and safe. When you are towed, we recommend keeping the board and the foil on its edge until reaching an area where the water is sufficiently deep.
- c When returning to shore, get off the board with the same distance from the shore as you did when you got on. Then walk or swim or get towed back to shore. Remember to keep the board and the foil under your arm, on its side, like you did when starting.

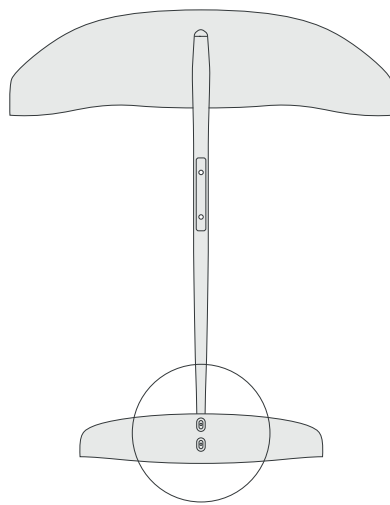
— 06



Using the foil.

— 03 Position

The Quick N' Precise system allows you to adjust the stabilizer's angle. Below are the settings we recommend depending on your desired performance.



Front



More stability
Less maneuverability

Center



Neutral

Rear



Less stability
More maneuverability

Front

This setting increases the angle of the rear wing, which then increases the lift of the front wing and your stability while decreasing your maneuverability. This setting is recommended for more lift or for low speed navigation and small swell (or small waves), for heavier riders, and longer boards.

Rear

This setting decreases the angle of the rear wing, which then increases maneuverability, while reducing lift and stability. This setting is recommended for fast navigation, heavy swell (or big waves), for lighter riders, and shorter boards.

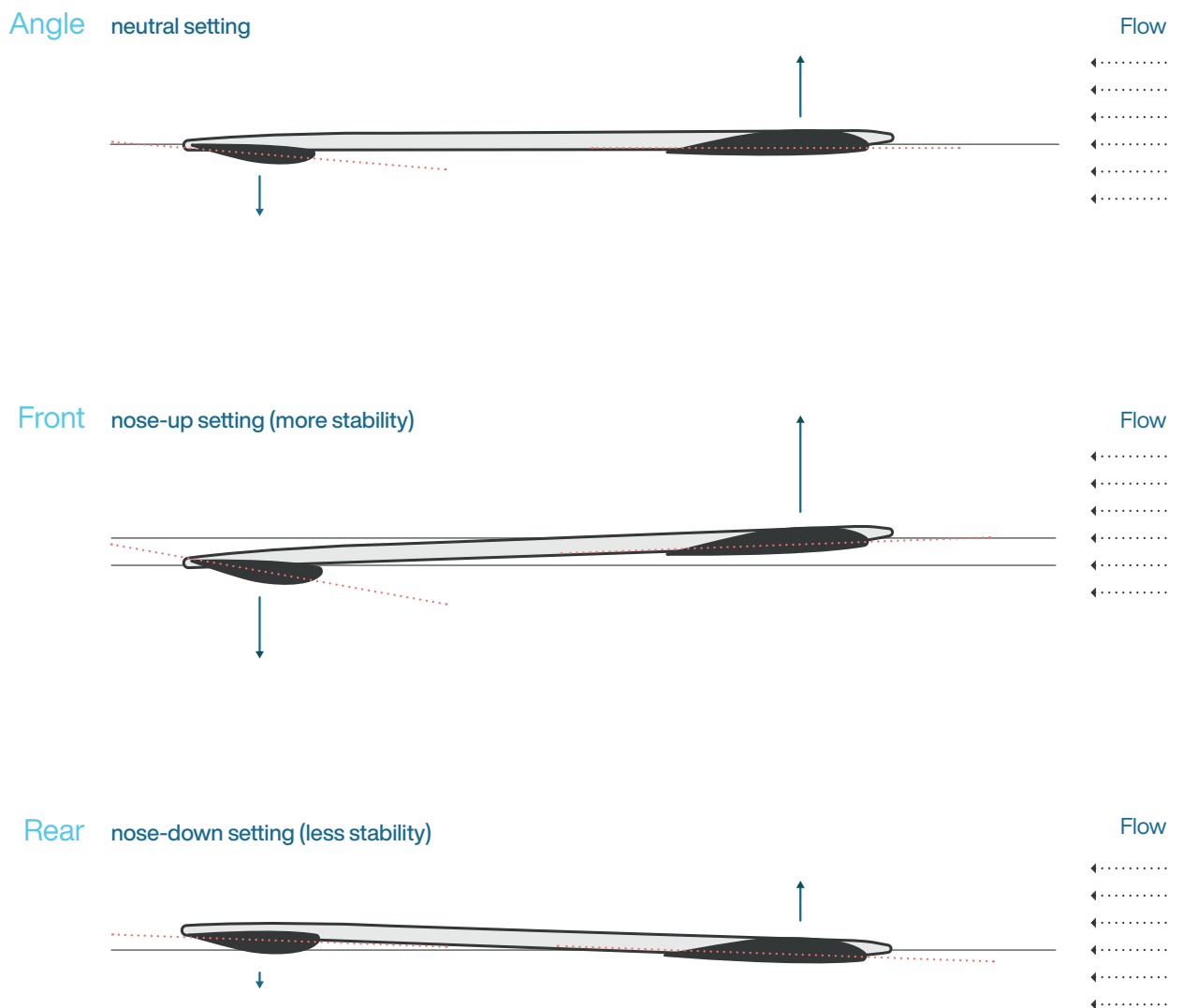
— 06



Using the foil.

— 04 Settings

It is advisable to experiment with different settings to find the one that suits you best. Do not hesitate to change it depending on the conditions. Our technical experts will be happy to answer any questions (see Section 10). All your adjustments must be made on the ground at a standstill.

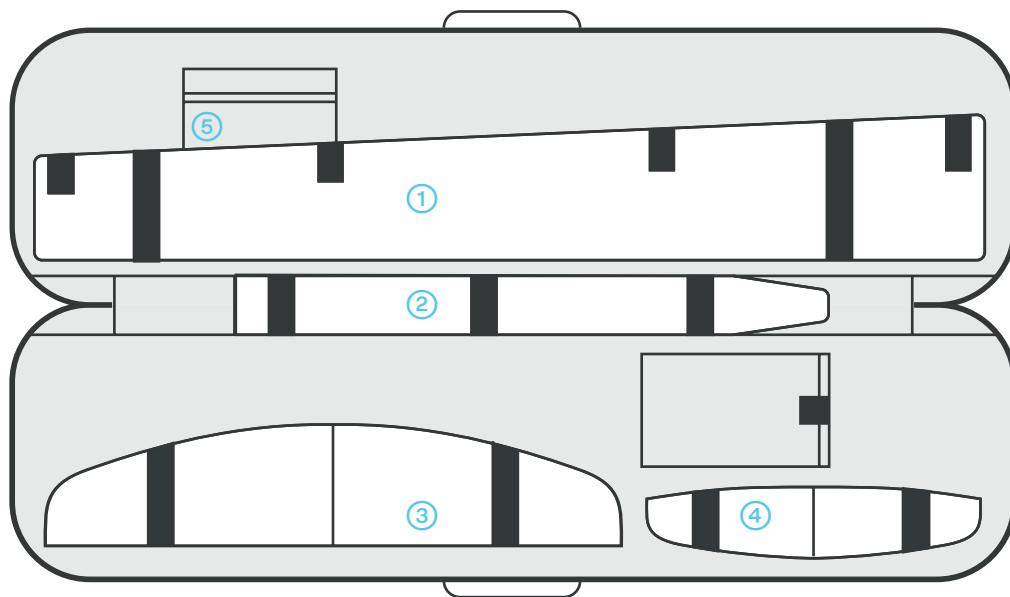


— 07



Foil maintenance.

- 01 Always wash the foil after each use and remember the following:
 - a Remove the front wing of the fuselage and the mast from the fuselage.
 - b Clean and rinse all the parts of the foil with clean (fresh) water before storing.
 - c Protect the parts by storing them in their TAAROA carrying case or any other suitable protection. Be sure to keep the foil's surface clean and smooth. The foil's functionality depends on a dynamic balance between each part—the mast and the wings are sensitive to imperfections. If the surface finish or other parts are damaged, the risk of injury or sudden falls increases.
 - d In the event that the foil's surface is roughed after a fall, fill it with resin or epoxy putty and sand until you're able to find a professional who can repair it. For other advice about repairs, don't hesitate to contact our customer service (see Section 10).



- ① Mast ② Fuselage ③ Front wing ④ Rear stabilizer ⑤ Screws

— 08



List of products.

— 01 Below is a list of TAAORA products for which this User Guide applies :

— KITE JOY ALU 90
FOIL JOY CARBON 90
SWORD 108 UHM

— WIND NOE 80
FOIL NOE 97 FREERIDE
NOE 97 FREERACE
NOE 97 UHM



Limitation of liability.

— 01 Agreement

By purchasing, handling and / or using a TAAROA product that appears on the list provided in Section 12 of this User Guide, you acknowledge having read and understood this User Guide, including all of the instructions and warnings contained in this User Guide. You agree that all users of the equipment will read and understand this User Guide, including the operating instructions and warnings.

— 02 Risk acceptance

The use of this equipment and its components involves certain risks and dangers which can cause serious injuries, sometimes even fatal injuries, for the user or third parties. By using this equipment, you assume and accept any risk of injury to yourself or any other third party while using this equipment. The risk inherent in this sport can be significantly reduced by following the warning instructions in this Guide and using common sense.

FLY 4 ALL IS NOT RESPONSIBLE FOR ANY DAMAGE CAUSED TO THE USER OR ANY THIRD PARTY FOR NON-COMPLIANCE WITH THE PROVISIONS OF THIS GUIDE.

— 10



Technical support

If you have any questions about TAAROA products :

- Please consult our website where you will find helpful content:
<https://www.taaroa-hydrofoil.com/forum/help-1>
- Email us at the following email address :
support@fly4all.altassian.net



advancing with technology