

# FOIL CHART.



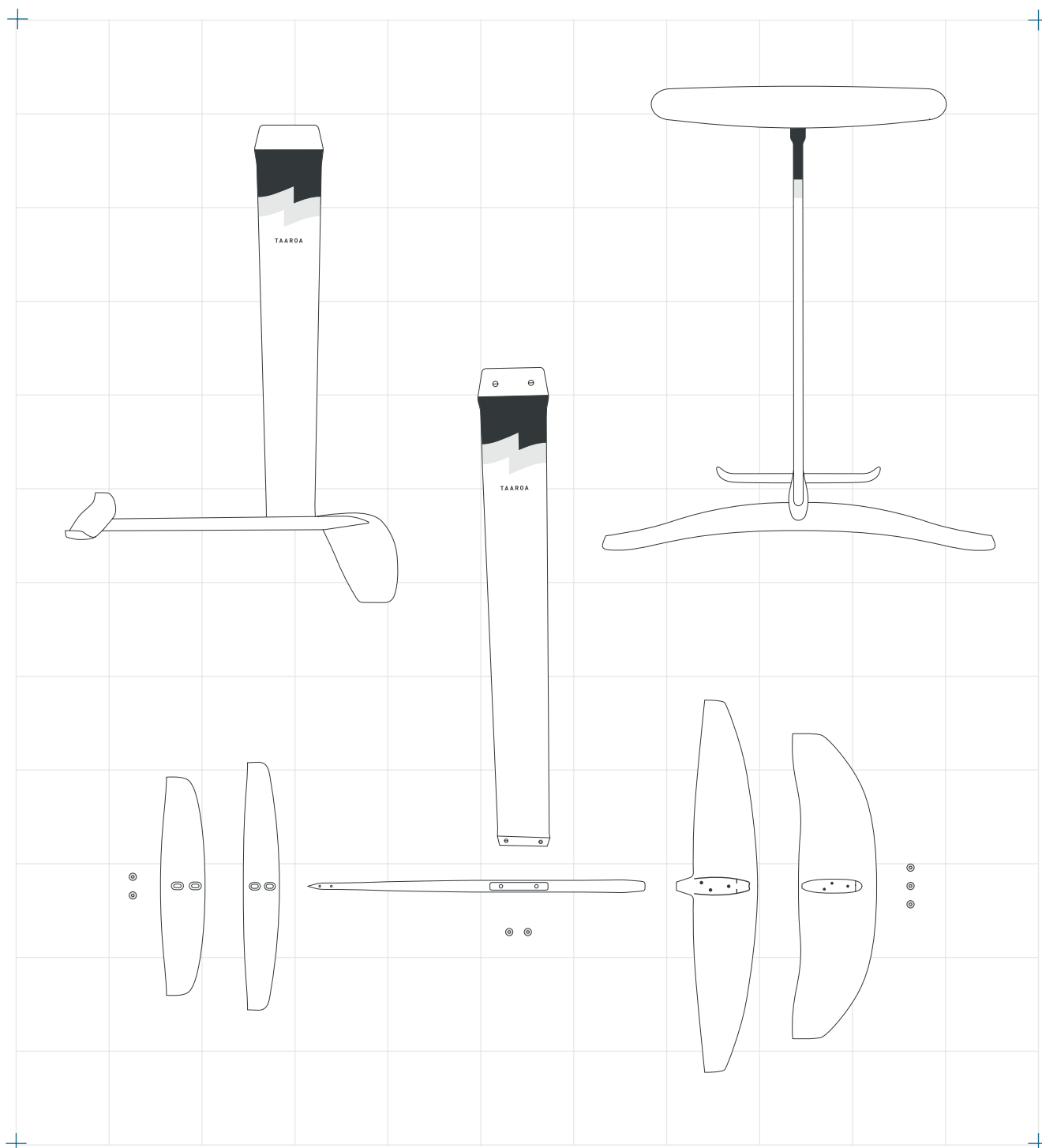
Discover our preferred settings based on rider's weight, navigation conditions and discipline.

**SWORD**

**NOE**

**JOY**

**UP**



# Riders < 75kg.



Condition	Discipline	Mast	Front wing	Stabilizer	Fuselage	Support	Mount
LIGHT WIND	Windfoil Freeride	NOE 80	Freeride 80 WF	Freeride 42 WF	Fuselage 75 WF	NOE 80	Deep Tuttle Power Box
	Windfoil Freerace	NOE 97	Freerace 80 WF	Freerace 45 WF	Fuselage 85 WF	NOE 97 Freerace	Deep Tuttle
	Wingfoil	UP 80 Carbon	UP 1250	Freerace 45 WF	Fuselage 75	UP 1250 Carbon	Unibox (all mounts)
LIGHT WIND	Kitefoil Freeride	JOY 90 Alu	Freeride 62 KF	Freeride 34 KF	Fuselage 60 KF	JOY Alu 90	Plate / Mini Pro Box / KF Box
	Kitefoil Wave	JOY 90 Alu	Wave 59 KF	Wave 36 KF	Fuselage 60 KF	JOY Alu 90	Plate / Mini Pro Box / KF Box
	Kitefoil Freerace	SWORD 108 UHM	Race 64 KF	Freerace 34 KF	Fuselage 60 Ti KF	SWORD 108 UHM	Mini Pro Box
MEDIUM TO HIGH WINDS	Windfoil Freeride	NOE 80	Freeride 80 WF	Freeride 42 WF	Fuselage 75 WF	NOE 80	Deep Tuttle Power Box
	Windfoil Freerace	NOE 97	Freeslalom 600 WF	Freerace 45 WF	Fuselage 85 WF	NOE 97	Deep Tuttle
	Wingfoil	UP 80 Carbon	UP 1250	Freerace 34 KF	Fuselage 75	UP 1250 Carbon	Unibox (all mounts)
MEDIUM TO HIGH WINDS	Kitefoil Freeride	JOY 90 Carbon	Freeride 62 KF	Freeride 34 KF	Fuselage 60 KF	JOY Carbon 90	Plate
	Kitefoil Wave	JOY 90 Carbon	Wave 59 KF	Freeride 34 KF	Fuselage 85	JOY Carbon 90	Plate
	Kitefoil Freerace	SWORD 108 UHM	Race 64 KF	Freerace 34 KF	Fuselage 60 Ti KF	SWORD UHM	Mini Pro Box
DOWN WIND	Surf foil	UP 75 Alu	UP 1600	Freeride 42 WF	Fuselage 75	UP 1600 ALU	Plate
	SUP foil	UP 80 Carbon	UP 1600	Freeride 45 WF	Fuselage 70	UP 1600 Carbon	Unibox (all mounts)
SMALL WAVES	Surf foil	UP 65 Alu	UP 1250	Wave 36 KF	Fuselage 75	UP 1250 ALU	Plate
	SUP foil	UP 80 Carbon	UP 1250	Wave 36 KF	Fuselage 70	UP 1250 Carbon	Unibox (all mounts)
	Wakefoil	UP 55 Alu	UP 1250	Wave 36 KF	Fuselage 75	UP 1250 ALU	Plate
MEDIUM TO BIG WAVES	Surf foil	UP 75 Alu	UP 1250	Wave 36 KF	Fuselage 75	UP 1250 ALU	Plate
	SUP foil	UP 80 Carbon	UP 1250	Wave 36 KF	Fuselage 70	UP 1250 Carbon	Unibox (all mounts)

# Riders between 75kg and 90 kg.



Condition	Discipline	Mast	Front wing	Stabilizer	Fuselage	Support	Mount
LIGHT WIND	Windfoil Freeride	NOE 80	Freeride 80 WF	Freeride 42 WF	Fuselage 75 WF	NOE 80	Deep Tuttle Power Box
	Windfoil Freerace	NOE 97 HR	Freerace 1050 WF	Freerace 45 WF	Fuselage 85 WF	NOE 97	Deep Tuttle
	Wingfoil	UP 80 Carbon	UP 1600	Freerace 45 WF	Fuselage 75	UP 1600 Carbon	Unibox (all mounts)
LIGHT WIND	Kitefoil Freeride	JOY 90 Carbon	Freeride 62 KF	Freeride 34 KF	Fuselage 60 KF	JOY Carbon 90	Plate
	Kitefoil Wave	UP 80 Carbon	UP 1250	Wave 36 KF	Fuselage 70	UP 1250 Carbon	Unibox (all mounts)
	Kitefoil Freerace	SWORD 108 UHM	Race 64 KF	Freeride 34 KF	Fuselage 60 Ti KF	SWORD 108 UHM	Mini Pro Box
MEDIUM TO HIGH WINDS	Windfoil Freeride	NOE 97 HR	Freeride 80 WF	Freeride 42 WF	Fuselage 85 WF	NOE 97 Freeride	Deep Tuttle Power Box
	Windfoil Freerace	NOE 97 HR	Freerace 80 WF	Freerace 45 WF	Fuselage 85 WF	NOE 97 Freeride	Deep Tuttle
	Wingfoil	UP 80 Carbon	UP 1250	Freerace 45 WF	Fuselage 75	UP 1250 Carbon	Unibox (all mounts)
MEDIUM TO HIGH WINDS	Kitefoil Freeride	Joy 90 Carbon	Freeride 62 KF	Freeride 34 KF	Fuselage 60 KF	Joy Carbon 90	Plate
	Kitefoil Wave	Joy 90 Carbon	Wave 59 KF	Freeride 34 KF	Fuselage 60	Joy Carbon 90	Plate
	Kitefoil Freerace	SWORD 108 UHM	Race 64 KF	Freeride 34 KF	Fuselage 60 Ti KF	SWORD 108 UHM	Mini Pro Box
DOWN WIND	Surf foil	UP Alu 75	UP 1600	Freeride 42 WF	Fuselage 75	UP 1600 ALU	Plate
	SUP foil	UP 80 Carbon	UP 1600	Freerace 45 WF	Fuselage 75	UP 1600 Carbon	Unibox (all mounts)
SMALL WAVES	Surf foil	UP Alu 65	UP 1600	Freeride 42 WF	Fuselage 75	UP 1600 ALU	Plate
	SUP foil	UP 80 Carbon	UP 1600	Freeride 42 WF	Fuselage 75	UP 1600 Carbon	Unibox (all mounts)
	Wakefoil	UP Alu 55	UP 1600	Freeride 42 WF	Fuselage 75	UP 1600 ALU	Plate
MEDIUM TO BIG WAVES	Surf foil	UP Alu 75	UP 1250	Wave 36 KF	Fuselage 75	UP 1250 ALU	Plate
	SUP foil	UP 80 Carbon	UP 1250	Wave 36 KF	Fuselage 75	UP 1250 Carbon	Unibox (all mounts)

# Riders between 90kg and 110 kg.



Condition	Discipline	Mast	Front wing	Stabilizer	Fuselage	Support	Mount
LIGHT WIND	Windfoil Freeride	NOE 97 UHM	Freeride 80 WF	Freeride 42 WF	Fuselage Ti 85 WF	NOE 97 UHM	Deep Tuttle
	Windfoil Freerace	NOE 97 UHM	Freerace 1050 WF	Freerace 45 WF	Fuselage Ti 85 WF	NOE 97 UHM	Deep Tuttle
	Wingfoil	UP 80 Carbon	UP 2000	Freerace 45 WF	Fuselage 75	UP 2000 Carbon	Unibox (all mounts)
LIGHT WIND	Kitefoil Freeride	UP 80 Carbon	UP 1250	Freeride 42 WF	Fuselage 75	UP 1250 Carbon	Unibox (all mounts)
	Kitefoil Wave	UP 80 Carbon	UP 1250	Freeride 42 WF	Fuselage 70	UP 1250 Carbon	Unibox (all mounts)
	Kitefoil Freerace	SWORD 108 UHM	Race 64 KF	Freeride 34 KF	Fuselage 60 TI KF	SWORD 108 UHM	Mini Pro Box
MEDIUM TO HIGH WINDS	Windfoil Freeride	NOE 97 UHM	Freeride 80 WF	Freeride 42 WF	Fuselage Ti 85 WF	NOE 97 UHM	Deep Tuttle
	Windfoil Freerace	NOE 97 UHM	Freerace 80 WF	Freerace 45 WF	Fuselage Ti 85 WF	NOE 97 UHM	Deep Tuttle
	Wingfoil	UP 80 Carbon	UP 1600	Wave 36 KF	Fuselage Ti 75 WF	UP 1600 Carbon	Unibox (all mounts)
MEDIUM TO HIGH WINDS	Kitefoil Freeride	Joy 90 Carbon	Freeride 62 KF	Freeride 34 KF	Fuselage 60 Ti KF	JOY Carbon 90	Plate
	Kitefoil Wave	Joy 90 Carbon	Wave 59 KF	Freeride 34 KF	Fuselage 60 Ti KF	JOY Carbon 90	Plate
	Kitefoil Freerace	SWORD 108 UHM	Race 64 KF	Freerace 34 KF	Fuselage 60 TI KF	SWORD 108 UHM	Mini Pro Box
DOWN WIND	Surf foil	UP 80 Carbon	UP 2000	Freeride 42 WF	Fuselage 70	UP 2000 Carbon	Unibox (all mounts)
	SUP foil	UP 80 Carbon	UP 2000	Freerace 45 WF	Fuselage 75	UP 2000 Carbon	Unibox (all mounts)
SMALL WAVES	Surf foil	UP 80 Carbon	UP 2000	Freeride 42 WF	Fuselage 75	UP 1600 Carbon	Unibox (all mounts)
	SUP foil	UP 80 Carbon	UP 2000	Freeride 42 WF	Fuselage 75	UP 2000 Carbon	Unibox (all mounts)
	Wakefoil	UP Alu 55	UP 2000	Freeride 42 WF	Fuselage 75	UP 1600 ALU	Plate
MEDIUM TO BIG WAVES	Surf foil	UP 80 Carbon	UP 1600	Wave 36 KF	Fuselage 70	UP 1600 Carbon	Unibox (all mounts)
	SUP foil	UP 80 Carbon	UP 1600	Wave 36 KF	Fuselage 75	UP 1600 Carbon	Unibox (all mounts)

# — Questions.



## Technical support

If you have any questions about TAAROA products :

• Please consult our website where you will find helpful content:

**<https://www.taaroa-hydrofoil.com/forum/help-1>**

• Email us at the following email address :

**[support@fly4all.altassian.net](mailto:support@fly4all.altassian.net)**



advancing with technology